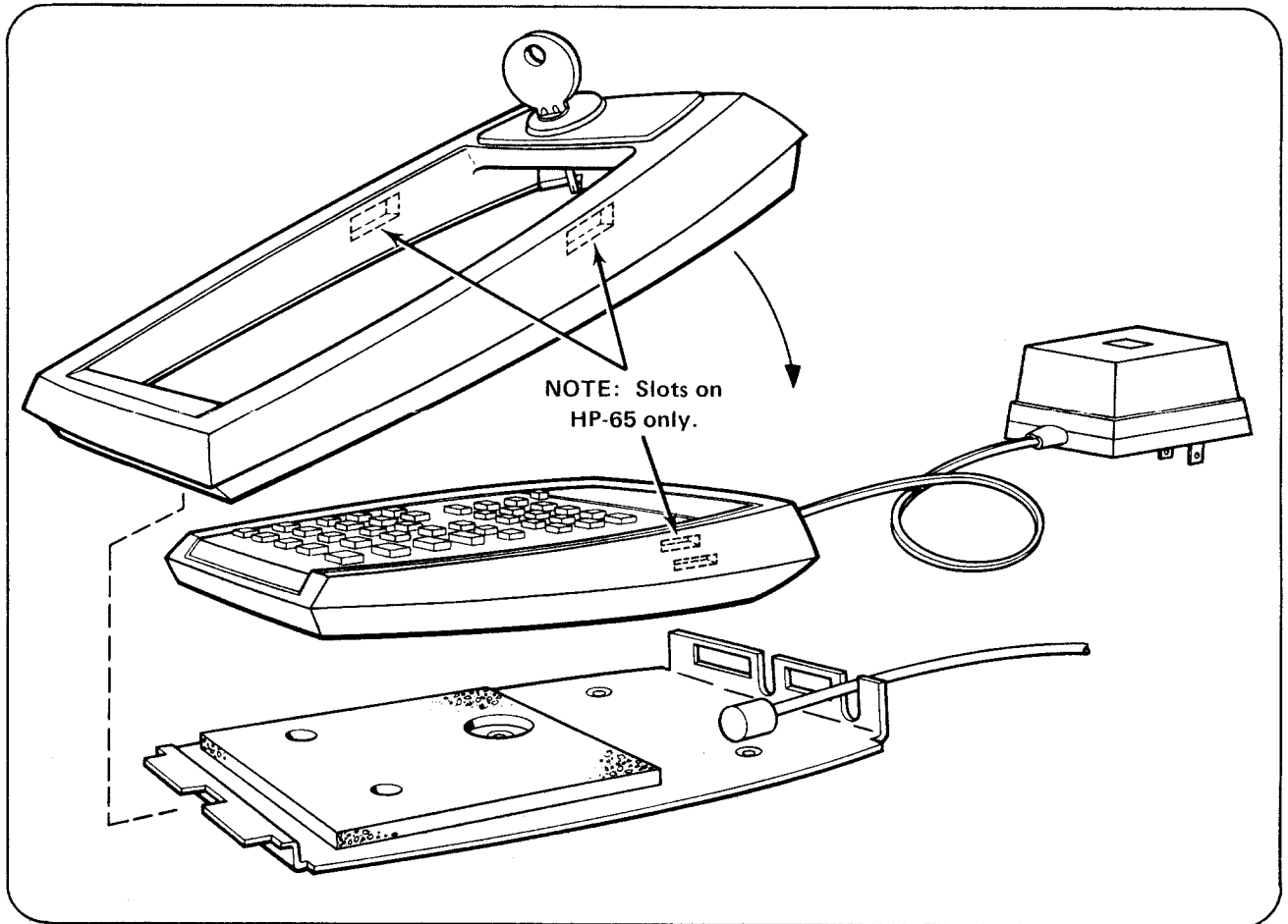


HP Pocket Calculator Security Cradle Instructions



Here's how to use your HP pocket calculator with your new security cradle:

Turn the key to the right until it releases the cradle top from the bottom. Separate the two parts.

***NOTE:** If double-back tape is to be used for securing the cradle, remove the four bumper feet before installation.*

If you want to fasten the cradle to a desk or table, put the base flat on the surface and attach it, using either the screws or tape enclosed. If you want it to swivel, use just one screw in the center hole.

The double-back tape makes it extremely difficult to remove the cradle from a surface without using a tool, such as a large screwdriver.

Now put the calculator on the base. Make sure that it is flush against the bottom front of the base, and that the recharger cord is in the center cutout at the top of the base.

If, instead of attaching the base permanently, you wish to use the security cable, make sure you put the cable's lug end into the right hand cut out. Before you do this, you may want to loop the cable on itself and run the loop around or through a fixed object.

Now, hook the bottom front of the top of the cradle over the bottom edge of the base. Use this connection as a hinge and press the top down until it is snug against the base. Turn the key counterclockwise until it is fully engaged.

***NOTE:** The factory cannot supply additional keys. We recommend you have duplicates made.*