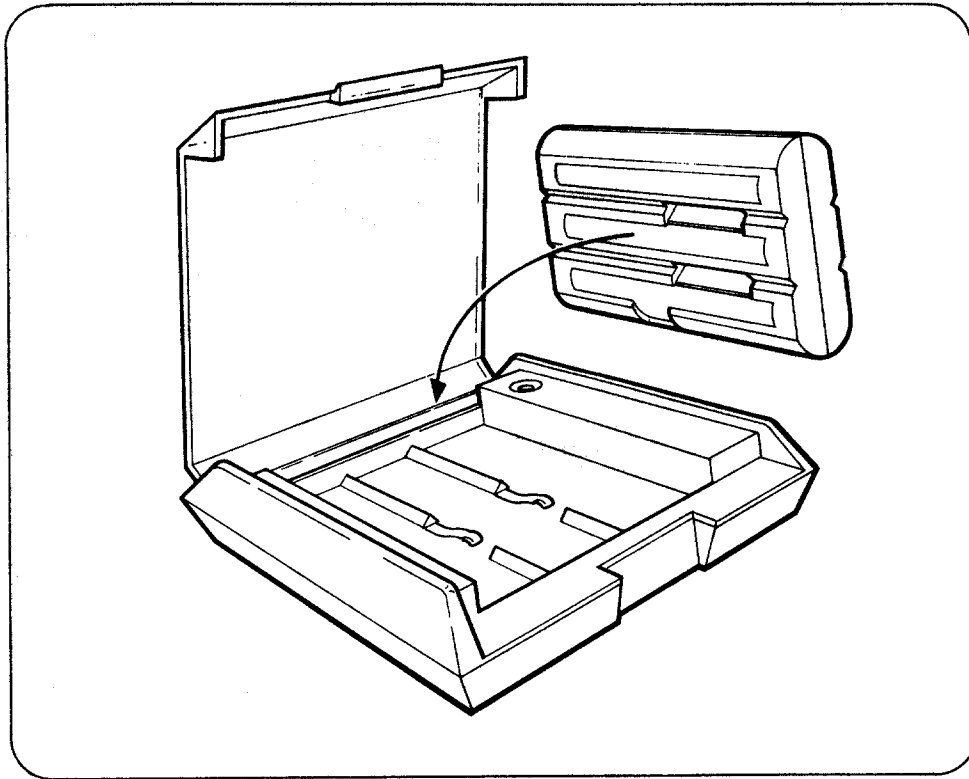


HP Pocket Calculator Battery Holder Instructions



Put the battery pack into the holder with the battery pack contact strips down, so they rest on the contacts in the holder. Plug the recharger into the bottom of the holder and plug the other end into the wall socket.

The red light (a solid-state lamp) will come on when the proper connections are made and the batteries are charging. The light does not go out when the charge is complete.